



CE-M approved versions: 2014/31/EU, EN 45501, OIML R76 class III, legal for trade use with CE marking and conformity assessment (initial verification).



CAPACITY	kg	DIVISION	(g)	NET WEIGHT	(kg)	CODE
6		e=0.1		3.9		BIL6
15		e=0.2		3.9		BIL15
30		e=0.5		3.9		BIL30

### C3 APPROVED - 3000 division - MULTIRANGE

3/6		e=1/2				VERIBIL6
6/15		e=2/5				VERIBIL15
15/30		e=5/10				VERIBIL30

### DESCRIPTION

- Stainless steel plate.
- RS232 output for connection to PC or external printer.
- 6-digit backlit LCD display (24 mm height).
- 7-key waterproof keyboard.
- Bubble level and adjustable feet.
- 6 V rechargeable internal battery, 4 Ah capacity.
- Operating time: 70 hours.
- Power supply included.
- Auto power-off.

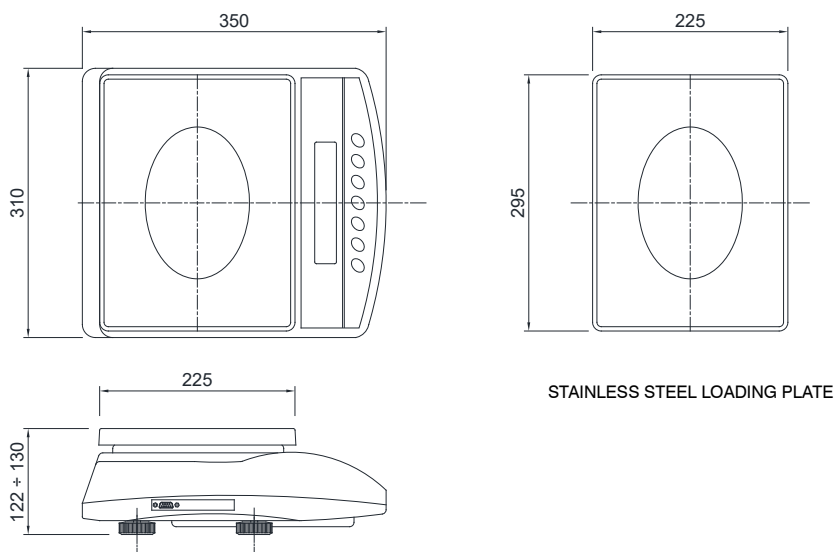
### MAIN FUNCTIONS

- Piece counting with sequence display of: number of pieces, average unit weight, total weight of the pieces on the scale.
- Automatic/manual totalization of the weighings.
- Weight indication as a percentage.
- Weight/pieces/percentage checking (HIGH/LOW) with acoustic and visual alarm.
- Receipt printing via STAVT II external printer: customizable header, date, time, net weight, average unit weight, number of pieces on the scale, total weight, total number of pieces.

### CERTIFICATIONS

CERTIFICATIONS ON REQUEST	CODE
✓ Accredia traceable calibration report	TARATURA50




### DIMENSIONS (mm)



### TECHNICAL FEATURES

Power supply	230 VAC $\pm$ 10%
Internal battery	6 V, 4 Ah capacity
Linearity	< 0.01% full scale
Display resolution	60000
Units of measure	g, kg
Serial port	RS232
Baud rate	2400, 4800, 9600, 19200 (bit/s)
Humidity (condensate free)	< 85%
Storage temperature	-10 °C + 50 °C
Working temperature	-10 °C + 40 °C

### OPTIONS ON REQUEST

	DESCRIPTION	CODE
	Stainless steel deep tray. Dimensions: 230x300x40 mm.	PIATTOBAC
	Panasonic rechargeable battery mod. LC-R064R5P - 6 V, 4.5 Ah capacity.	BATTERIA6V4AH
	Desktop thermal printer.	STAVTII

The Company reserves the right to make changes to the technical data, drawings and images without notice.